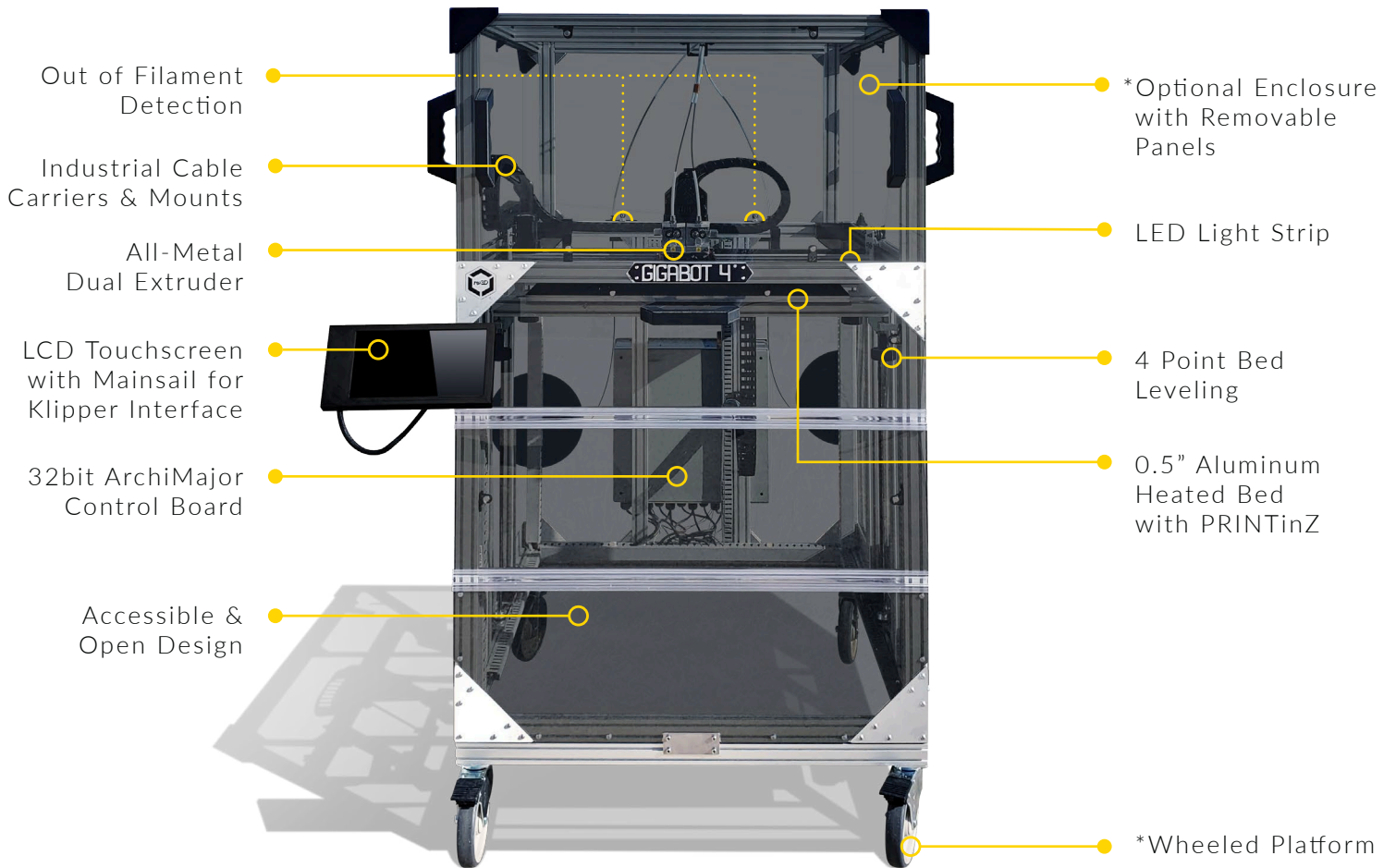




MEET YOUR

GIGABOT 4[®]

Affordable | Quality | Industrial | Large-Scale | Hand-Crafted



PRICE Starting at \$14,800

BUILD VOLUME 590 X 600 X 600 MM

*Full Side panels come standard on Gigabot 4. Enclosure available for purchase.

3D Print at the Human Scale

Industrial 3D printing is now affordable. The massive print volume starts at 30X larger than desktop 3D printers, at a fraction of the cost of comparable industrial systems.

For High-Strength Materials

Print with thermoplastics that melt below 320°C, Gigabot's all-metal hot end opens the door to a wider variety of 3D printing materials, including high-strength & heat-resistant plastic filaments.

Modular, Lifetime Construction

Free from the constraints of product versioning, the Gigabot platform enables user upgrades & customization. No machine will fall behind with new features available as add-on packages.



Full Service Solutions

Design & Research Focused on Your Needs

re:3D is ready to assist you with your industrial large-scale 3D printing needs. Our team is experienced in fabricating built-to-spec modified hardware for specialized print requests and available to support material selection, design, contract printing, education and consulting needs.

All Gigabots are covered under our factory warranty for six months, including damage due to normal wear and tear, user error or faulty parts. Extended warranty options and maintenance plans are available up to three years.

Printing Specs

Mechanical

Compatible with Hardened Steel & 20 Series Hot Ends	Supports Thermoplastics Melting Below 320°C	70-600 Micron Layer Resolution	Up to 60 mm/sec XY Print Speed	0.25, 0.4 or 0.8 mm Nozzle Diameter	2.85 mm Filament Diameter	Robust Aluminum Cartesian Frame	Cast Aluminum Blanchard Ground Flat 0.5" Thick Build Plate	NEMA 17 Stepper Motors

Touchscreen

Software

Electrical

LCD Touchscreen with Mainsail for Klipper interface	Optional network connecting for local monitoring & control	USB or Wifi File Transfer Method	Open Source Klipper Software Stack	G-code (.gcode) Upload File Type	Includes Simplify3D Setting Profiles	110V 60Hz 20A or 220V 50Hz 10A	180-320°C Extruder Temperature	60-115°C Build Surface Temperature

Gigabot 4 Portfolio

DIY PARTS KIT GIGABOT 4	FULLY ASSEMBLED GIGABOT 4	FULLY ASSEMBLED GIGABOT 4 XLT	FULLY ASSEMBLED TERABOT 4	FULLY ASSEMBLED EXABOT
590 x 600 x 600 mm	590 x 600 x 600 mm	590 x 760 x 900 mm	915 x 915 x 1,000 mm	762 x 762 x 1,829 mm
Price \$11,800	Price \$14,800	Price \$19,200	Price \$40,000	Price *Call for price
Enclosure \$2,950	Enclosure \$2,950	Enclosure \$3,500	Enclosure Included	Enclosure *Call for price

*Fully Assembled Custom Solutions Available